

CRAWLER EXCAVATOR

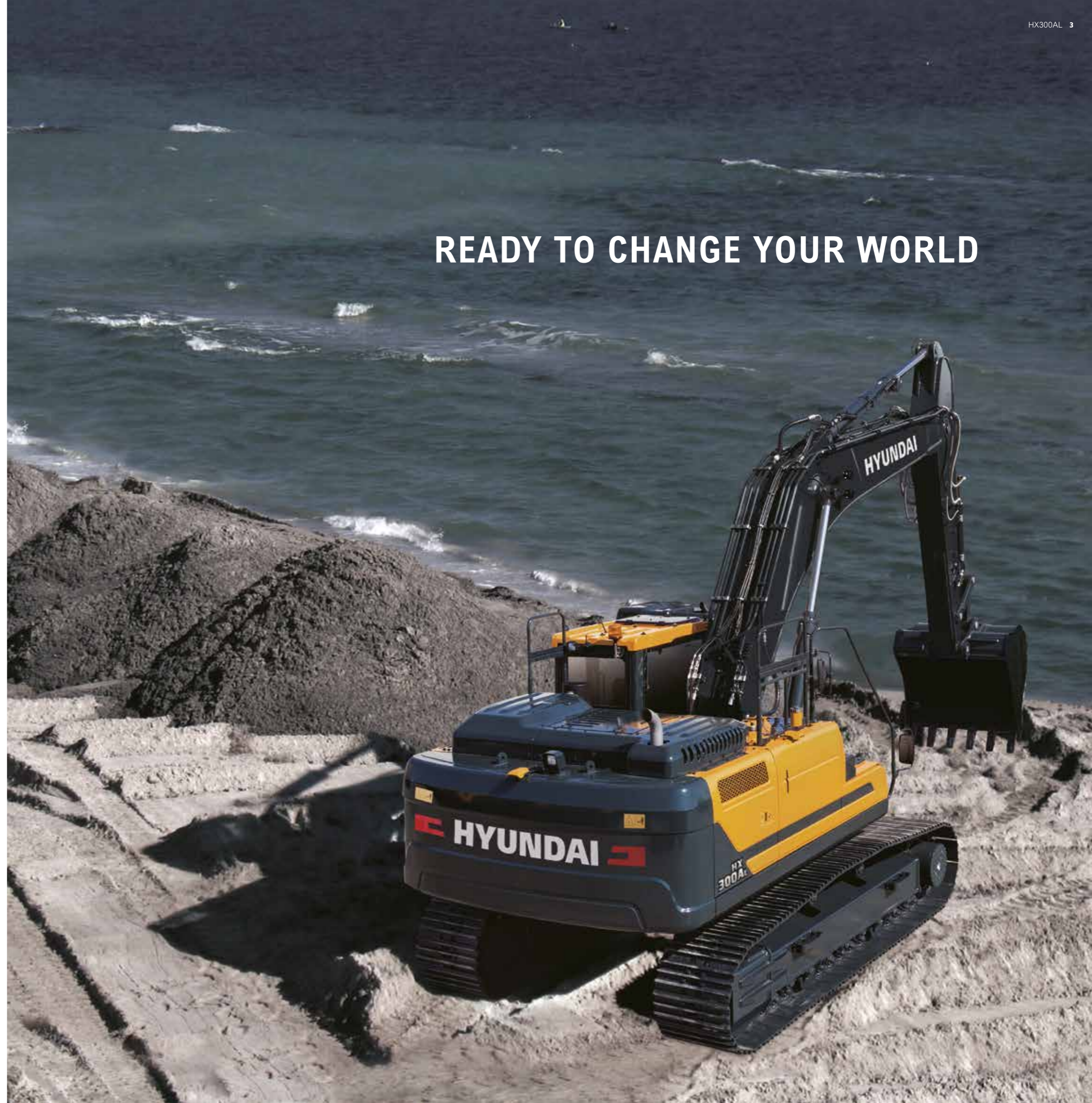
HX300AL



READY TO CHANGE YOUR WORLD

The HX300AL Crawler Excavator is part of Hyundai's brand new A-series: a fresh generation of construction equipment that complies with the European stage V emission levels. But it does much more than that! While fulfilling regulatory demands, Hyundai aimed for a ground-breaking level of customer satisfaction with maximum performance and productivity, better safety, more convenience and improved uptime management.

From its robust exterior design to its smart performance-enhancing technologies, the HX300AL opens up a world of new possibilities where tiny efforts move mountains. It's time to experience the Hyundai Effect!



ENTER A WORLD WHERE ANYTHING IS POSSIBLE



Productivity

- Short cycle times
- Mono or two-piece boom
- Electronic Pump Independent Control (EPIC)
- Customisable hydraulic attachment lines
- Attachment flow control (20 tools programmable)
- Fine swing control (option)
- Boom floating system (option)

Serviceability

- Excellent accessibility
- Electric fuel filler pump with automatic stop function
- Centralised greasing (option)
- Hi Mate telematic system
- Extended service intervals

Durability/Safety

- Excellent visibility
- AAVM camera system (option)
- LED lights (option)
- Reinforced upper and lower structure
- High-grade hoses
- Reinforced pins, bushings and polymer shims
- Swing lock (option)

Comfort

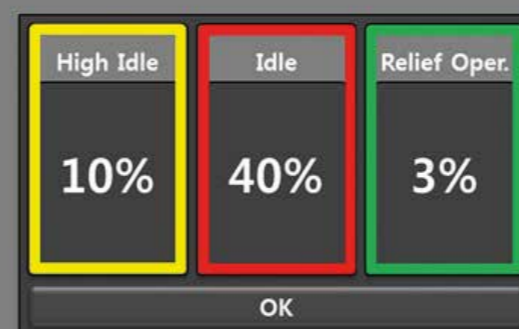
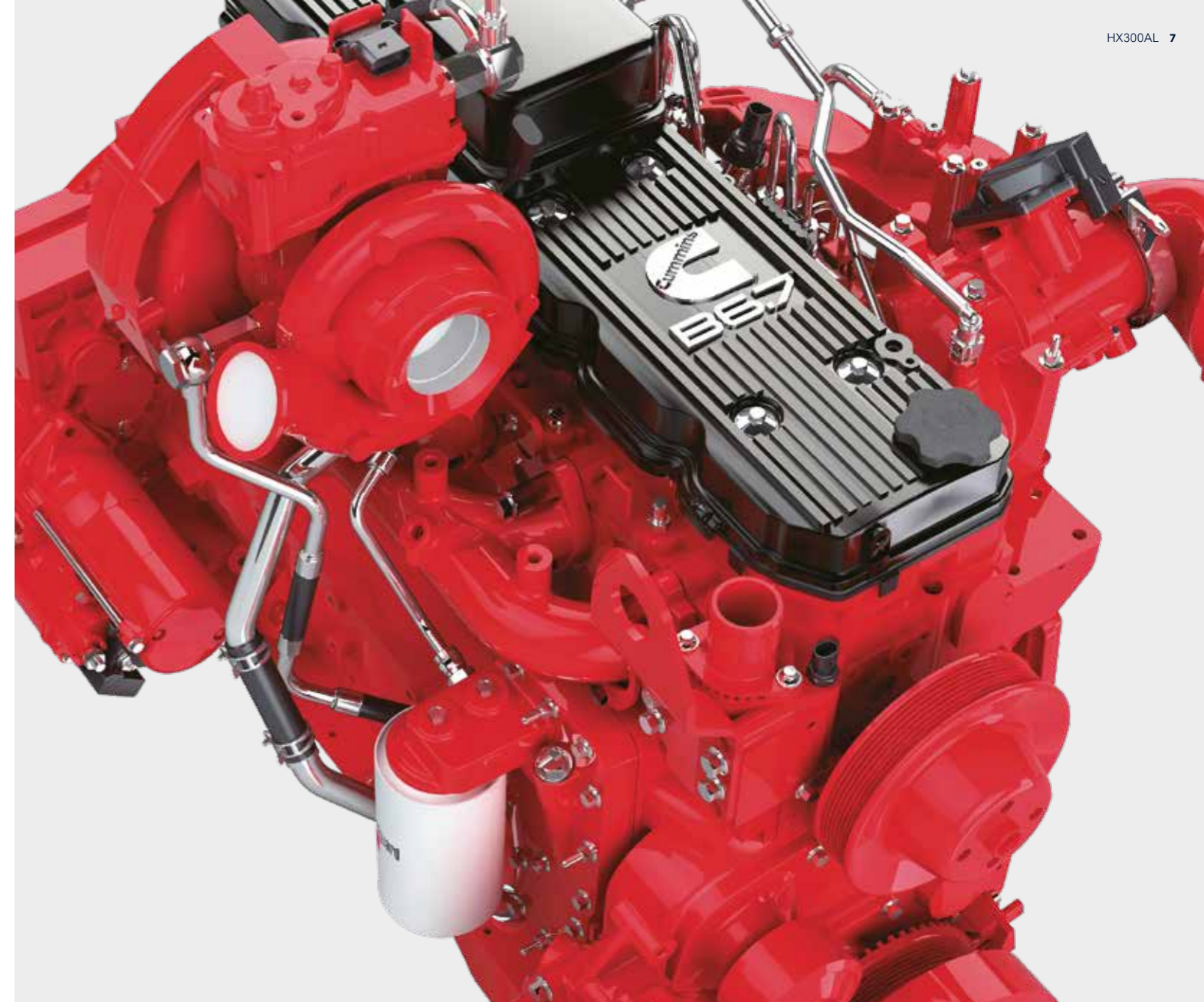
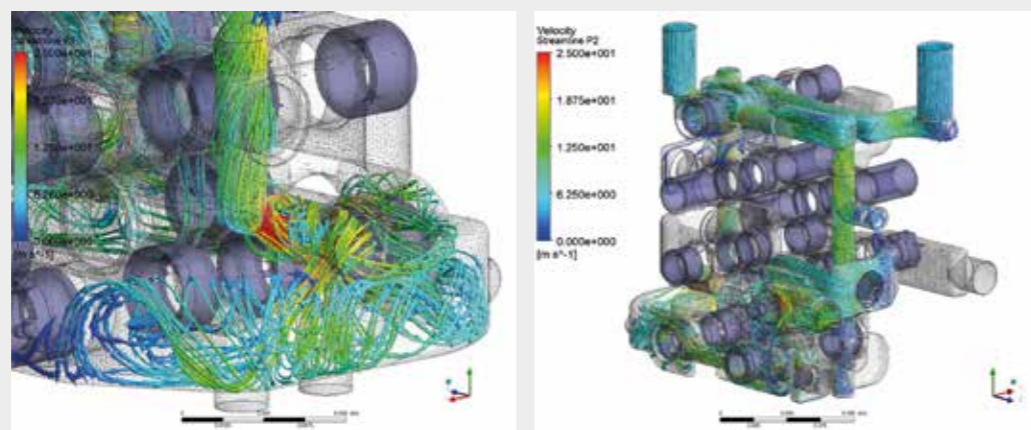
- Spacious cabin
- 8" touchscreen monitor
- Automatic climate control
- Smart key and start/stop button
- Air suspension seat with heater (option)
- Viscous cab suspension mounts
- Ergonomic joystick design

POWER AND EFFICIENCY TO MAKE YOU MORE PRODUCTIVE

The HX300AL is powered by a robust Stage V-certified Cummins engine with an innovative integrated after-treatment system that reduces both emissions and maintenance requirements. It delivers all the power you need to handle demanding jobs, along with fast levelling and truck loading times and excellent fuel economy.

A range of smart technologies are included for precise management of the engine output and pump flow rate. A new EPIC (Electronic Pump Independent Control) system improves efficiency through computerised individual control of the hydraulic pumps. Additional features optimise operation and monitoring to enhance productivity every single day.

EPIC (Electronic Pump Independent Control) improves fuel efficiency while maintaining productivity through computerised individual control of hydraulic pumps. The system helps to reduce losses in hydraulic flow and maximise production capacity.



"I'm saving on fuel and reducing emissions without having to compromise on productivity!"

The **Eco Report** feature helps you to develop efficient working habits by displaying real-time information about machine performance.

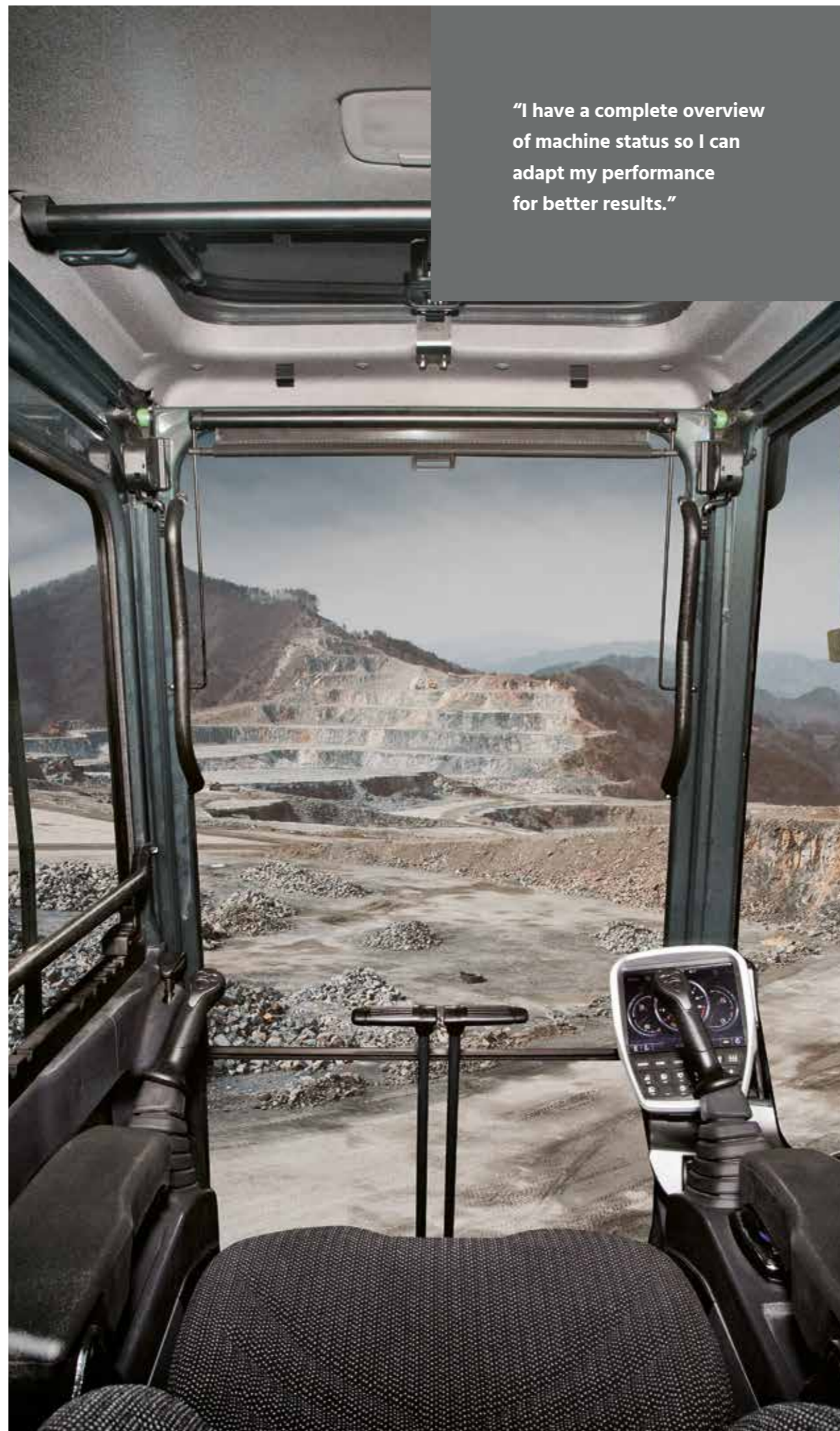
Like all A-Series machines, the HX300AL features our **all-in-one exhaust aftertreatment system** which cuts emissions and operating costs while enhancing reliability and simplifying maintenance.

Easy-to-use **3D Machine Guidance** gives precise feedback on the bucket position as well as 3D grading assistance and jobsite mapping in real time. This reduces manpower requirements on site and enhances operator performance. The system includes an optional **Hyundai Ready automatic surveying system** for excavators which provides work guides to further improve work speed and productivity.

- Productivity Improvement
- Work Time Reduction
- Leveling Cost Reduction
- Safety Improvement

A CABIN DESIGNED AROUND YOU

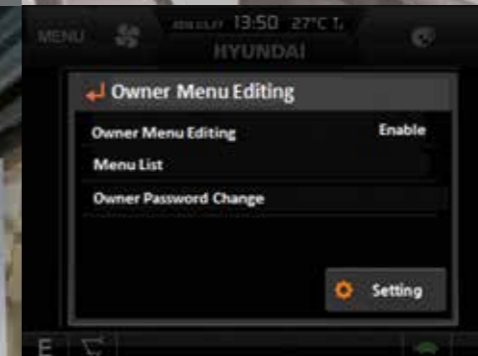
The HX300AL cabin was designed as a comfortable working environment that enhances productivity and reduces fatigue for every operator. Pleasant and spacious, it features a high-quality, adjustable seat and comfortable reach to all controls. A range of technologies enable easier machine monitoring, while the audio system includes radio, USB and AUX input to keep you entertained during your working day. The overall design places you right at the centre of the Hyundai Effect, with a world of convenience and control at your fingertips.



"I have a complete overview of machine status so I can adapt my performance for better results."



- ▶ The **instrument panel** is optimised to provide quick, easy access to machine status information as you work. It features an 8-inch **touchscreen monitor** for excellent legibility.



- ▶ **Menu functions** can be set by the machine owner, who can also provide or restrict access for machine users by using a password to lock or unlock the list.



- ▶ The HX300AL has a luxurious **air suspension seat with heating** as standard. The **ergonomic joystick** makes operation comfortable and intuitive.



- ▶ The **heating and air conditioning** system efficiently regulates and directs airflow in the cabin.

The **Miracast system based on the operator's smartphone Wi-Fi** allows the use of various smartphone features on the screen, including navigation, web surfing and music and video playback.



PROTECTION FOR CO-WORKERS AND MACHINERY

Small details can make a huge difference when it comes to safety and security. The HX300AL offers all-round protection for you, your workmates and your equipment. Its cab and engine hood feature a new design that allows maximum visibility, while

All-Around View Monitoring (AAVM) gives you a clear overview of your surroundings. By helping to ensure an accident-free worksite, the HX300AL contributes to the peace of mind and productivity that form part of the Hyundai Effect.

The **All-Around View Monitoring (AAVM)** camera system gives you a 360° overview of your immediate working environment. It also includes Intelligent Moving Object Detection (IMOD) technology that senses and warns you when people or objects come within five metres of the machine.

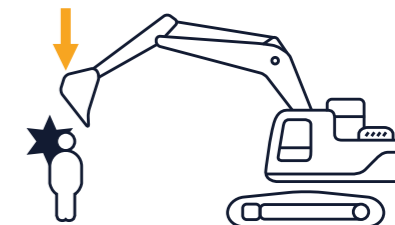
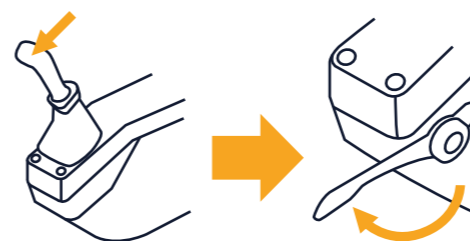
The **open design of the cabin side door** gives the operator a clear, unimpeded view to the exterior. The **door handle** design has also been redesigned for more convenient access.



"I can always see what's going on around me, even when weather conditions are poor or the machine is moving."



The **auto safety lock** feature prevents unintentional ignition. While the auto safety lock is activated, the excavator is not controlled by the RCV lever.



ADVANCED DIAGNOSTICS AND SERVICING SUPPORT

The peace of mind that comes with quick, low-effort servicing is also part of the Hyundai Effect. The HX300AL is designed to make maintenance as convenient as possible. All components and materials have been optimised to ensure a long, trouble-free life. Hyundai's Hi Mate remote management system uses GPS satellite technology to provide the highest level of service and support. The HX300AL also features our new Engine Connected Diagnostics (ECD) system which immediately reports any engine failure to both Hi Mate and the engine manufacturer to ensure the fastest, easiest resolution.

HiMATE



For maximum convenience and security, the HX300AL features Hyundai's exclusive Hi Mate remote fleet management system, which uses mobile data technology to provide the highest level of service and support. You can monitor your machines from any location via a dedicated website or mobile app, with access to working parameters like total engine hours, machine utilisation, actual performed working hours and fuel consumption and machine location. The system makes it easy to evaluate machine productivity and plan servicing and maintenance tasks, as well as any required cost saving measures. It also offers geofencing to protect your machines against theft and unauthorised usage.



"I have a constant overview of performance and maintenance requirements - plus advice and support whenever I need it."

ECD (Engine Connected Diagnostics) provides troubleshooting advice as well as tailored servicing and parts support from Cummins Quick Serve. Service technicians are supported with remote diagnostics reports allowing them to prepare for site visits and bring the right tools.



READY FOR ACTION AND BUILT TO LAST

You need to know that the investment you make today will help to sustain your business over the long term. That's why we prioritised reliability throughout the development of the HX300AL, from design and manufacturing to quality control. We improved engine reliability by integrating exhaust after-treatment and replacing EGR with a simplified, single-module system that's easier to maintain. The upper and lower frame structures are reinforced for high load work, while the attachments have been rigorously tested for the roughest conditions. The overall aim is to minimise downtime and repairs so that you can stay on schedule, avoid unexpected costs and protect your profits.



“Every detail has been reviewed and revised for reliable long-term performance. It means I can keep my promises and have better control of my equipment costs.”

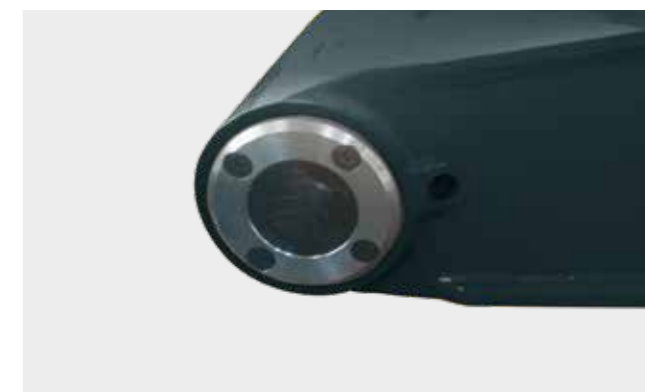
The engine and **exhaust after-treatment** system are integrated for simplified control and maintenance.



High-grade hoses with outstanding resistance to heat and pressure provide maximum durability, even in rough working conditions.



The reinforced **pins, bushings and polymer shims** are designed for an extended lifetime.



FOCUSED TECHNOLOGIES FOR THE RESULTS YOU WANT

Hyundai's crawler excavators are designed to create better conditions for operators and deliver the ultimate ownership experience. Every detail is carefully fine-tuned to match your needs in the field, including better safety and comfort, higher productivity, maximum uptime and easy servicing. It's all part of the Hyundai Effect.

Explore the range at hyundai-ce.eu



SPECIFICATIONS

| ENGINE | | | |
|----------------------------|---|-----------------|------------------------------|
| Maker / Model | Cummins B6.7 / STAGE V | | |
| Type | 4-cycle turbocharged, charge air cooled diesel engine | | |
| Rated Flywheel Horse Power | SAE | J1,995 (Gross) | 260 HP (194 kW) at 2,200 rpm |
| | | J1,349 (Net) | 255 HP (190 kW) at 2,200 rpm |
| | DIN | 6,271/1 (Gross) | 264 PS (194 kW) at 2,200 rpm |
| | | 6,271/1 (Net) | 259 PS (190 kW) at 2,200 rpm |
| Max. Power | 265 HP (198 kW) at 2,000 rpm | | |
| Max. Torque | 138 kgf·m (966 lbf·ft) at 1,500 rpm | | |
| Bore X Stroke | 107 × 124 mm (4.21" × 4.88") | | |
| Piston Displacement | 6,700 cc (409 cu in) | | |
| Batteries | 2 x 12 V x 160 Ah | | |
| Starting Motor | Denso 24 V-4.8 kW | | |
| Alternator | Denso 24 V-95 A | | |

| HYDRAULIC SYSTEM | |
|--|--|
| MAIN PUMP | |
| Type | Variable displacement tandem axis piston pumps |
| Max. Flow | 2 × 285 l/min (75.3 U.S. gpm / 62.7 U.K. gpm) |
| Sub-Pump For Pilot Circuit | Gear pump |
| Cross-sensing and fuel saving pump system. | |

| HYDRAULIC MOTORS | |
|------------------|--|
| Travel | Variable displacement axial piston motor |
| Swing | Axial piston motor |

| RELIEF VALVE SETTING | |
|---------------------------------|-------------------------------------|
| Implement Circuits | 350 kgf/cm ² (4,980 psi) |
| Travel | 350 kgf/cm ² (4,980 psi) |
| Power Boost (Boom, Arm, Bucket) | 380 kgf/cm ² (5,400 psi) |
| Swing Circuit | 300 kgf/cm ² (4,270 psi) |
| Pilot Circuit | 40 kgf/cm ² (570 psi) |
| Service Valve | Installed |

| HYDRAULIC CYLINDERS | |
|----------------------------------|-------------------------|
| No. of Cylinder Bore X Stroke | Boom: Ø140 x 1,465 mm |
| | Arm: Ø150 x 1,765 mm |
| | Bucket: Ø135 x 1,185 mm |

| DRIVING AND BRAKING | |
|--------------------------------|---|
| Drive Method | Fully hydrostatic type |
| Drive Motor | Axial piston motor, in-shoe design |
| Reduction System | Planetary reduction gear |
| Max. Drawbar Pull | 27,405 kgf (60,417 lbf) |
| Max. Travel Speed (High / Low) | 6.1 km/hr (3.8 mph) / 3.4 km/hr (2.1 mph) |
| Gradeability | 35° (70%) |
| Parking Brake | Multi wet disc |

| CONTROL | |
|---|--|
| Pilot pressure operated joysticks and pedals with detachable lever provide almost effortless and fatigueless operation. | |
| Pilot control | Two joysticks with one safety lever (LH): swing and arm, (RH): Boom and bucket |
| Traveling and Steering | Two levers with pedals |
| Engine Throttle | Electric, dial type |

| SWING SYSTEM | |
|---------------------------|---------------------------------------|
| Swing Motor | Fixed displacement axial piston motor |
| Swing Reduction | Planetary gear reduction |
| Swing Bearing Lubrication | Grease-bathed |
| Swing Brake | Multi wet disc |
| Swing Speed | 11.2 rpm |

| COOLANT & LUBRICANT CAPACITY | | | |
|-----------------------------------|-------|--------|--------|
| | liter | US gal | UK gal |
| Fuel tank | 500 | 132.1 | 110 |
| Engine coolant | 42 | 11.1 | 9.3 |
| Engine oil | 24.4 | 6.4 | 5.4 |
| Swing Device | 11 | 2.9 | 2.4 |
| Final Drive (Each) | 7.8 | 2.06 | 1.72 |
| Hydraulic system (including tank) | 330 | 87.2 | 72.6 |
| Hydraulic tank | 190 | 50.2 | 41.8 |
| DEF/AdBlue® | 70 | 18.5 | 15.5 |

| UNDERCARRIAGE | |
|--|---------------------|
| The X-leg type center frame is integrally welded with reinforced box-section track frames. The undercarriage includes lubricated rollers, idlers, track adjusters with shock absorbing springs and sprockets, and a track chain with double or triple grouser shoes. | |
| Center frame | X - leg type |
| Track frame | Pentagonal box type |
| Number of Shoes on each side | 48 EA |
| Number of Carrier Rollers on each side | 2 EA |
| Number of Track Rollers on each side | 9 EA |
| Number of Rail Guards on each side | 2 EA |

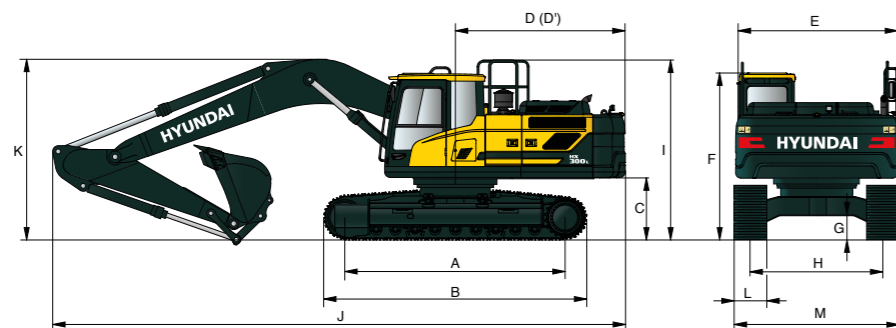
| OPERATING WEIGHT (APPROXIMATE) | | | | |
|--------------------------------|---------------|---------------------|---------------------------|-------------|
| Shoes | | Operating weight | Ground pressure | |
| Type | Width mm (in) | kg (lb) | kgf/cm ² (psi) | |
| Triple grouser | 600 (24") | HX300AL | 30,520 (67,290) | 0.59 (8.35) |
| | | HX300AL 2pcs boom | 33,670 (74,230) | 0.65 (9.22) |
| | | HX300A NL | 30,400 (67,020) | 0.59 (8.32) |
| | | HX300A NL 2pcs boom | 33,550 (73,970) | 0.65 (9.18) |
| | 700 (28") | HX300AL | 31,080 (68,520) | 0.51 (7.29) |
| | | HX300AL 2pcs boom | 34,230 (75,460) | 0.56 (8.03) |
| | | HX300AL | 31,450 (69,340) | 0.45 (6.46) |
| | 800 (32") | HX300AL 2pcs boom | 34,600 (76,280) | 0.50 (7.10) |
| | | HX300AL Long Reach | 33,590 (74,050) | 0.48 (6.90) |
| | 900 (36") | HX300AL | 31,840 (70,200) | 0.41 (5.85) |
| HX300AL 2pcs boom | | 34,990 (77,140) | 0.45 (6.39) | |
| Double grouser | 700 (28") | HX300A HW | 34,810 (76,740) | 0.57 (8.15) |

| AIR CONDITIONING SYSTEM | |
|--|--|
| The air condition system for the machine contains the fluorinated greenhouse gas with global warming potential of R134a. (Global Warming Potential: 1,430) The system holds 0.8 kg refrigerant consisting of a CO ₂ equivalent of 1.14 metric tonnes. For more information, Please refer to the manual. | |

DIMENSIONS & WORKING RANGE

HX300AL / HX300ANL DIMENSIONS

6.25 m (20' 6") BOOM and 2.1 m (6' 11"), 2.5 m (8' 2"), 3.05 m (10' 0"), 3.75 m (12' 4") ARM



Unit : mm (ft in)

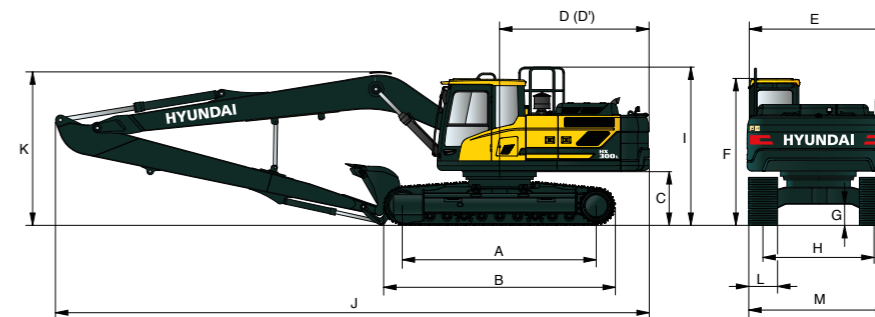
| | | |
|----|-----------------------------------|--|
| A | Tumbler distance | 3,650 (12' 0") |
| B | Overall length of crawler | 4,404 (14' 4") |
| C | Ground clearance of counterweight | 1,060 (3' 6") |
| D | Tail swing radius | 2,890 (9' 5") |
| D' | Rear-end length | 2,770 (9' 1") |
| E | Overall width of upperstructure | 2,740 (9' 0") |
| F | Overall height of cabin | 3,000 (9' 8") |
| G | Min. ground clearance | 480 (1' 7") |
| H | Track gauge | HX300AL 2,600 (8' 6") HX300ANL 2,390 (7' 10") |
| I | Overall height of guardrail | 3,335 (10' 11") |

| | | | | | |
|-------------|------------------------|-------------------------|-----------------|-----------------|-----------------|
| Boom length | | 6,250 (20' 6") | | | |
| Arm length | | 2,100 (6' 11") | 2,500 (8' 2") | 3,050 (10' 0") | 3,750 (12' 4") |
| J | Overall length | 10,750 (35' 3") | 10,700 (35' 1") | 10,600 (34' 9") | 10,670 (35' 0") |
| K | Overall height of boom | 3,720 (12' 2") | 3,560 (11' 8") | 3,320 (10' 11") | 3,570 (11' 9") |
| L | Track shoe | Triple grouser | | | |
| | width | 600 (1' 12") | 700 (2' 4") | 800 (2' 7") | 900 (2' 11") |
| M | Overall width | HX300AL 3,200 (10' 6") | 3,300 (10' 10") | 3,400 (11' 1") | 3,500 (11' 5") |
| | | HX300ANL 2,990 (9' 10") | - | - | - |

DIMENSIONS & WORKING RANGE

HX300AL LONG REACH DIMENSIONS

10.2 m (33' 6") BOOM and 7.85 m (25' 9") ARM



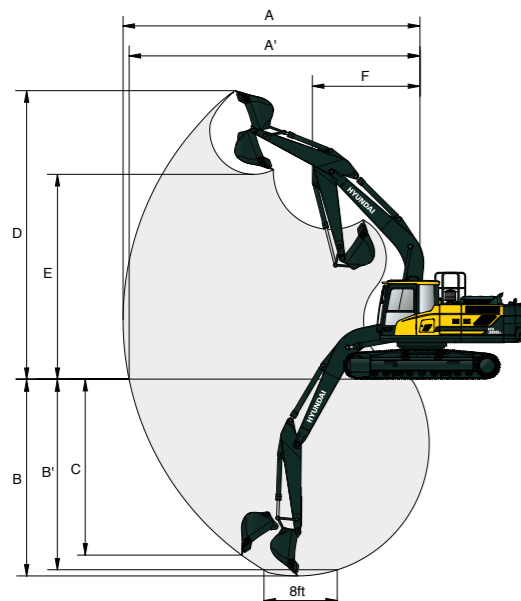
Unit : mm (ft in)

| | | |
|----|-----------------------------------|----------------|
| A | Tumbler distance | 4,030 (13' 3") |
| B | Overall length of crawler | 4,940 (16' 2") |
| C | Ground clearance of counterweight | 1,185 (3' 9") |
| D | Tail swing radius | 3,210 (10' 5") |
| D' | Rear-end length | 3,120 (10' 3") |
| E | Overall width of upperstructure | 2,980 (9' 9") |
| F | Overall height of cabin | 3,130 (10' 3") |
| G | Min. ground clearance | 500 (1' 8") |
| H | Track gauge | 2,600 (8' 6") |
| I | Overall height of guardrail | 3,335 (10' 9") |

| | | |
|-------------|------------------------|------------------|
| Boom length | | 10,200 (33' 6") |
| Arm length | | 7,850 (25' 9") |
| J | Overall length | 14,600 (47' 11") |
| K | Overall height of boom | 3,560 (11' 8") |
| L | Track shoe width | 800 (2' 7") |
| M | Overall width | 3,400 (11' 2") |

HX300AL / HX300ANL WORKING RANGE

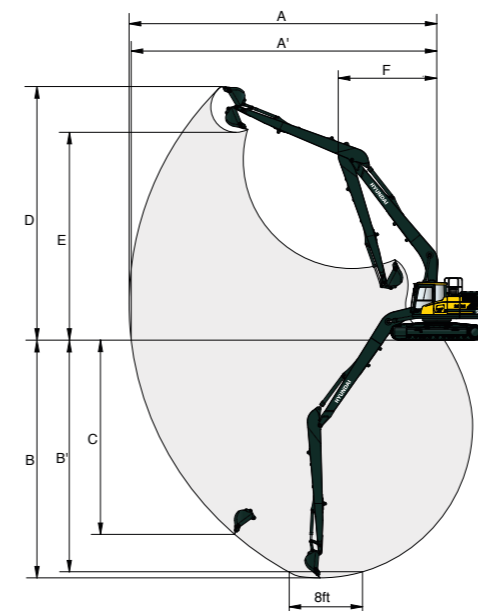
Unit : mm (ft in)



| | | | | | |
|-------------|----------------------------------|------------------|------------------|------------------|------------------|
| Boom length | | 6,250 (20' 6") | | | |
| Arm length | | 2,100 (6' 11") | 2,500 (8' 2") | 3,050 (10' 0") | 3,750 (12' 4") |
| A | Max. digging reach | 10,040 (32' 11") | 10,310 (33' 10") | 10,810 (35' 6") | 11,420 (37' 6") |
| A' | Max. digging reach on ground | 9,820 (32' 3") | 10,100 (33' 2") | 10,610 (34' 10") | 11,230 (36' 10") |
| B | Max. digging depth | 6,380 (20' 11") | 6,780 (22' 3") | 7,330 (24' 1") | 8,030 (25' 4") |
| B' | Max. digging depth (8' level) | 6,180 (20' 3") | 6,600 (21' 8") | 7,170 (23' 6") | 7,890 (25' 11") |
| C | Max. vertical wall digging depth | 5,910 (19' 5") | 5,760 (18' 11") | 6,280 (20' 7") | 6,990 (22' 11") |
| D | Max. digging height | 10,130 (33' 3") | 9,980 (32' 9") | 10,200 (33' 6") | 10,410 (34' 2") |
| E | Max. dumping height | 6,990 (22' 11") | 6,930 (22' 9") | 7,150 (23' 5") | 7,360 (24' 2") |
| F | Min. front swing radius | 4,420 (14' 6") | 4,320 (14' 2") | 4,270 (14' 0") | 4,220 (13' 10") |

HX300AL / HX300ANL LONG REACH WORKING RANGE

Unit : mm (ft in)

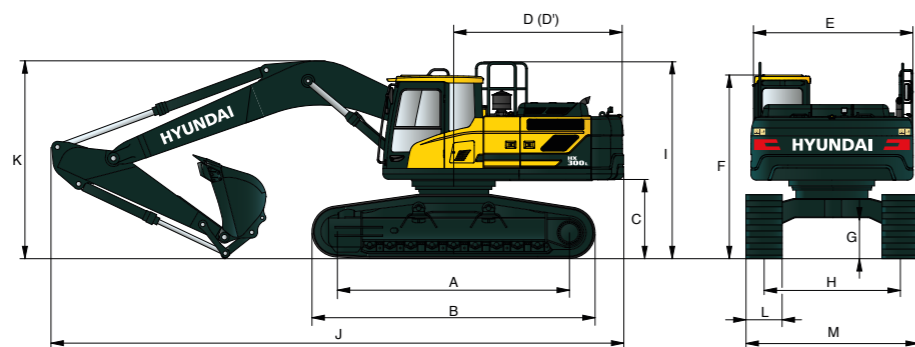


| | | |
|-------------|----------------------------------|------------------|
| Boom length | | 10,200 (33' 6") |
| Arm length | | 7,850 (25' 9") |
| A | Max. digging reach | 18,530 (60' 10") |
| A' | Max. digging reach on ground | 18,410 (60' 5") |
| B | Max. digging depth | 14,740 (48' 4") |
| B' | Max. digging depth (8' level) | 14,660 (48' 1") |
| C | Max. vertical wall digging depth | 13,700 (44' 11") |
| D | Max. digging height | 14,590 (47' 10") |
| E | Max. dumping height | 12,270 (40' 3") |
| F | Min. front swing radius | 6,270 (20' 7") |

DIMENSIONS & WORKING RANGE

HX300AL HIGH WALKER DIMENSIONS

6.25 m (20' 6") BOOM and 2.1 m (6' 11"), 2.5 m (8' 2"), 3.05 m (10' 0"), 3.75 m (12' 4") ARM



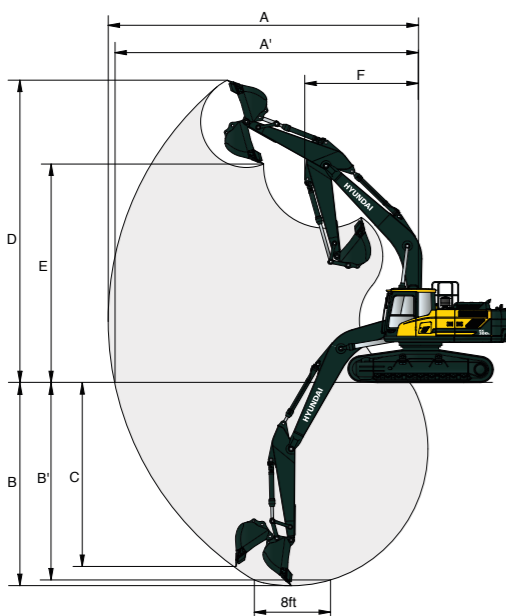
Unit : mm (ft in)

| | | |
|----|-----------------------------------|----------------|
| A | Tumbler distance | 4,030 (13' 3") |
| B | Overall length of crawler | 4,940 (16' 2") |
| C | Ground clearance of counterweight | 1,490 (4' 9") |
| D | Tail swing radius | 3,210 (10' 5") |
| D' | Rear-end length | 3,120 (10' 3") |
| E | Overall width of upperstructure | 2,980 (9' 9") |
| F | Overall height of cabin | 3,430 (11' 9") |
| G | Min. ground clearance | 765 (2' 6") |
| H | Track gauge | 2,870 (9' 5") |
| I | Overall height of guardrail | 3,640 (11' 9") |

| | | | | | | |
|-------------|------------------------|-----------------|------------------|-----------------|-----------------|-----------------|
| Boom length | | 6,250 (20' 6") | | | | 10,200 (33' 6") |
| Arm length | | 2,100 (6' 11") | 2,500 (8' 2") | 3,050 (10' 0") | 3,750 (12' 4") | 7,850 (25' 9") |
| J | Overall length | 10,730 (35' 2") | 10,640 (34' 11") | 10,450 (34' 3") | 10,530 (34' 7") | 14,470 (47' 6") |
| K | Overall height of boom | 3,830 (12' 7") | 3,660 (12' 0") | 3,440 (11' 3") | 3,540 (11' 7") | 3,610 (11' 10") |
| L | Track shoe | Type | Double grouser | | | |
| | | Width | 700 (2' 4") | | | |
| M | Overall width | 3,570 (11' 9") | | | | |

HX300AL HIGH WALKER WORKING RANGE

Unit : mm (ft in)

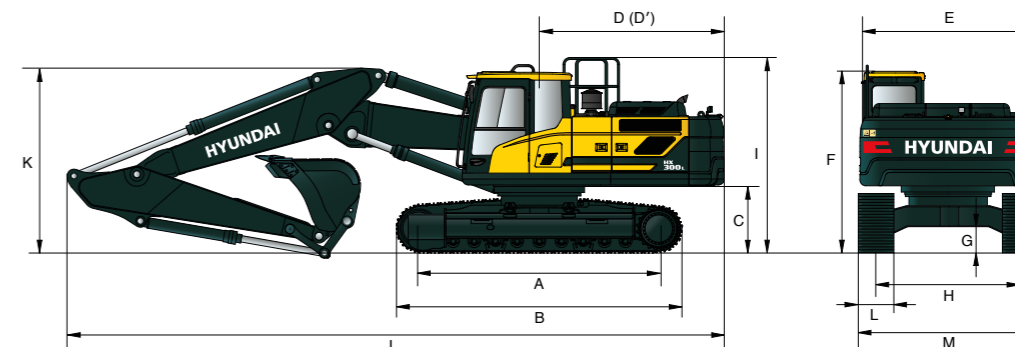


| | | | | | | |
|-------------|----------------------------------|------------------|------------------|-----------------|-----------------|------------------|
| Boom length | | 6,250 (20' 6") | | | | 10,200 (33' 6") |
| Arm length | | 2,100 (6' 11") | 2,500 (8' 2") | 3,050 (10' 0") | 3,750 (12' 4") | 7,850 (25' 9") |
| A | Max. digging reach | 10,040 (32' 11") | 10,310 (33' 10") | 10,810 (35' 6") | 11,420 (37' 6") | 18,530 (60' 10") |
| A' | Max. digging reach on ground | 9,750 (32' 0") | 10,020 (32' 10") | 10,540 (34' 7") | 11,170 (36' 8") | 18,370 (60' 3") |
| B | Max. digging depth | 6,060 (19' 11") | 6,460 (21' 2") | 7,330 (24' 1") | 7,710 (25' 4") | 14,420 (47' 4") |
| B' | Max. digging depth (8' level) | 5,860 (19' 3") | 6,280 (20' 7") | 7,170 (23' 6") | 7,570 (24' 10") | 14,340 (47' 1") |
| C | Max. vertical wall digging depth | 5,590 (18' 4") | 5,440 (17' 10") | 6,280 (20' 7") | 6,670 (21' 11") | 13,380 (43' 11") |
| D | Max. digging height | 10,450 (34' 3") | 10,300 (33' 10") | 10,200 (33' 6") | 10,730 (35' 2") | 14,910 (48' 11") |
| E | Max. dumping height | 7,320 (24' 0") | 7,250 (23' 9") | 7,150 (23' 5") | 7,680 (25' 2") | 12,590 (41' 4") |
| F | Min. front swing radius | 4,420 (14' 6") | 4,320 (14' 2") | 4,270 (14' 0") | 4,220 (13' 10") | 6,270 (20' 7") |

DIMENSIONS & WORKING RANGE

HX300AL / HX300A NL 2-PIECE BOOM DIMENSIONS

6.25 m (20' 6") 2-Piece BOOM and 2.1 m (6' 11"), 2.5 m (8' 2"), 3.05 m (10' 0"), 3.75 m (12' 4") ARM



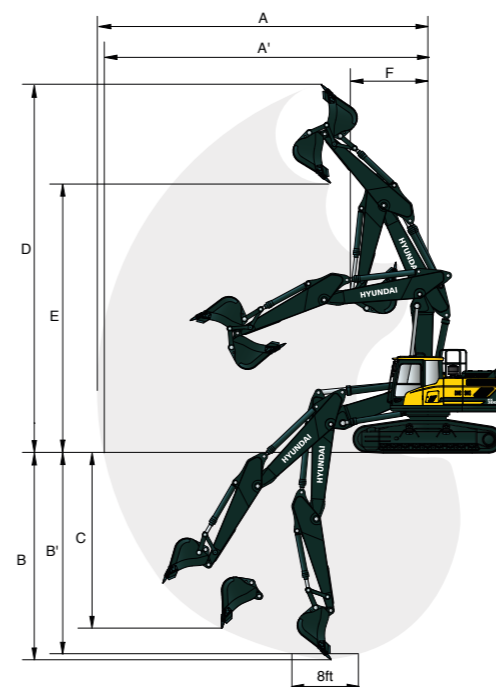
Unit : mm (ft in)

| | | | |
|----|-----------------------------------|-----------------|----------------|
| A | Tumbler distance | 4,030 (13' 3") | |
| B | Overall length of crawler | 4,940 (16' 2") | |
| C | Ground clearance of counterweight | 1,185 (3' 9") | |
| D | Tail swing radius | 3,210 (10' 5") | |
| D' | Rear-end length | 3,120 (10' 3") | |
| E | Overall width of upperstructure | 2,980 (9' 9") | |
| F | Overall height of cabin | 3,130 (10' 3") | |
| G | Min. ground clearance | 500 (1' 8") | |
| H | Track gauge | HX300AL | 2,600 (8' 6") |
| | | HX300ANL | 2,390 (7' 10") |
| I | Overall height of guardrail | 3,335 (10' 11") | |

| | | | | | |
|-------------|------------------------|-----------------|-----------------|------------------|-----------------|
| Boom length | | 6,250 (20' 6") | | | |
| Arm length | | 3,050 (10' 0") | 2,500 (8' 2") | 3,050 (10' 0") | 3,750 (12' 4") |
| J | Overall length | 10,740 (35' 3") | 10,700 (35' 1") | 10,650 (34' 11") | 10,670 (35' 0") |
| K | Overall height of boom | 3,510 (11' 6") | 3,420 (11' 3") | 3,290 (10' 10") | 3,580 (11' 9") |
| L | Track shoe width | Triple grouser | | | |
| | | 600 (1' 12") | 700 (2' 4") | 800 (2' 7") | 900 (2' 11") |
| M | Overall width | HX300AL | 3,200 (10' 6") | 3,300 (10' 10") | 3,400 (11' 2") |
| | | HX300ANL | 2,980 (9' 9") | - | - |

HX300AL / HX300A NL 2-PIECE BOOM DIMENSIONS WORKING RANGE

Unit : mm (ft in)



| | | | | | |
|-------------|----------------------------------|-----------------|-----------------|------------------|-----------------|
| Boom length | | 6,250 (20' 6") | | | |
| Arm length | | 2,100 (6' 11") | 2,500 (8' 2") | 3,050 (10' 0") | 3,750 (12' 4") |
| A | Max. digging reach | 10,080 (33' 1") | 10,360 (34' 0") | 10,870 (35' 8") | 11,500 (37' 9") |
| A' | Max. digging reach on ground | 9,860 (32' 4") | 10,150 (33' 4") | 10,670 (35' 0") | 11,310 (37' 1") |
| B | Max. digging depth | 5,870 (19' 3") | 6,220 (20' 5") | 6,760 (22' 2") | 7,440 (24' 5") |
| B' | Max. digging depth (8' level) | 5,760 (18' 11") | 6,120 (20' 1") | 6,670 (21' 11") | 7,350 (24' 1") |
| C | Max. vertical wall digging depth | 4,950 (16' 3") | 5,150 (16' 11") | 5,690 (18' 8") | 6,390 (21' 0") |
| D | Max. digging height | 11,590 (38' 0") | 11,730 (38' 6") | 12,140 (39' 10") | 12,600 (41' 4") |
| E | Max. dumping height | 8,360 (27' 5") | 8,500 (27' 11") | 8,910 (29' 3") | 9,370 (30' 9") |
| F | Min. front swing radius | 3,200 (10' 6") | 2,920 (9' 7") | 2,650 (8' 8") | 2,870 (9' 5") |

BUCKET SELECTION GUIDE & DIGGING FORCE

BUCKETS

All buckets are welded with high-strength steel.



| | | | | | | |
|---|-------------|---------------|---------------|---------------|---------------|-------------|
| SAE heaped m ³ (yd ³) | 1.27 (1.66) | ◆ 1.27 (1.66) | ◆ 1.28 (1.67) | ■ 1.33 (1.74) | ★ 0.52 (0.68) | 0.55 (0.72) |
| | 1.50 (1.96) | ◆ 1.46 (1.91) | | ■ 1.50 (1.96) | | |
| | 1.73 (2.26) | | | | | |
| | 1.85 (2.42) | | | | | |

| Capacity m ³ (yd ³) | | Width mm (in) | | Weight kg (lb) | Tooth EA | Recommendation mm (ft.in) | | | | | | | | | |
|---|-------------|----------------------|-------------------|-------------------|----------|---------------------------|-----------|-----------|-----------|-----------------------------|-----------|-----------|----------------------|--|--|
| | | | | | | Mono | | | | 2pcs | | | L/Reach | | |
| SAE heaped | CECE heaped | Without side cutters | With side cutters | | | 6,250 (20' 6") Boom | | | | 6,250 (20' 6") 2-Piece Boom | | | 10,200 (33' 6") Boom | | |
| | | | | | | 2,100 Arm | 2,500 Arm | 3,050 Arm | 3,750 Arm | 2,100 Arm | 2,500 Arm | 3,050 Arm | 7,850 Arm | | |
| 1.27 (1.66) | 1.11 (1.45) | 1,325 (52) | 1,410 (55.5) | 1,135 (2,500) | 5 | ● | ● | ○ | ■ | ● | ● | ● | - | | |
| 1.50 (1.96) | 1.30 (1.70) | 1,515 (60) | 1,600 (63.0) | 1,225 (2,700) | 5 | ○ | ○ | ■ | ▲ | ● | ● | ○ | - | | |
| 1.73 (2.26) | 1.51 (1.98) | 1,605 (63) | 1,690 (66.5) | 1,310 (2,890) | 6 | ■ | ■ | ▲ | - | ○ | ○ | ■ | - | | |
| 1.85 (2.42) | 1.61 (2.11) | 1,700 (67) | 1,780 (70.1) | 1,355 (2,990) | 6 | ■ | ▲ | ▲ | - | ○ | ○ | ■ | - | | |
| ◆ 1.27 (1.66) | 1.11 (1.45) | 1,380 (54) | - | 1,305 (2,880) | 5 | ● | ● | ○ | ■ | ● | ● | ● | - | | |
| ◆ 1.46 (1.91) | 1.28 (1.67) | 1,535 (60) | - | 1,395 (3,080) | 5 | ○ | ○ | ■ | ▲ | ● | ● | ○ | - | | |
| ◆ 1.28 (1.67) | 1.12 (1.46) | 1,230 (48) | 1,300 (51) | 1,285 (2,830) | 5 | ● | ● | ○ | ■ | ● | ● | ● | - | | |
| ■ 1.33 (1.74) | 1.16 (1.52) | 1,420 (56) | - | 1,490 (3,280) | 5 | ○ | ○ | ■ | ▲ | ● | ● | ○ | - | | |
| ■ 1.50 (1.96) | 1.30 (1.70) | 1,550 (61) | - | 1,575 (3,470) | 5 | ■ | ■ | ▲ | ▲ | ● | ● | ○ | - | | |
| ★ 0.52 (0.68) | 0.45 (0.59) | 945 (37) | 1,020 (40.2) | 470 (1,040) | 5 | - | - | - | - | - | - | - | ■ | | |
| ● 0.55 (0.72) | 0.45 (0.59) | 1,800 (71) | - | 590 (1,300) | - | - | - | - | - | - | - | - | ▲ | | |

- ◆ Heavy duty bucket
- Rock-Heavy duty bucket
- ★ Long reach bucket
- Slope finishing bucket
- Applicable for materials with density of 2,100 kgf/m³ (3,500 lbf/yd³) or less
- Applicable for materials with density of 1,800 kgf/m³ (3,000 lbf/yd³) or less
- Applicable for materials with density of 1,500 kgf/m³ (2,500 lbf/yd³) or less
- ▲ Applicable for materials with density of 1,200 kgf/m³ (2,000 lbf/yd³) or less

ATTACHMENT

Booms and arms are welded with a low-stress, full-box section design. 6,250 mm (20' 6"), 10,200 mm (33' 6") Booms and 2,100 mm (6' 11"), 2,500 mm (8' 2"), 3,050 mm (10' 0"), 3,750 mm (12' 4"), 7,850 mm (25' 9"), Arms are available.

DIGGING FORCE

| Boom | Length | mm (ft.in) | 6,250 (20' 6") | | | | 10,200 (33' 6") | Remarks: |
|----------------------|--------|------------|-----------------|-----------------|-----------------|-----------------|-----------------|------------------|
| | | | 2,780 (6,130) | | | | 3,530 (7,780) | |
| Arm | Length | mm (ft.in) | 2,100 (6' 11") | 2,500 (8' 2") | 3,050 (10' 0") | 3,750 (12' 4") | 7,850 (25' 9") | |
| | | | Weight | kg (lb) | 1,345 (2,970) | 1,430 (3,150) | 1,545 (3,410) | |
| Bucket digging force | SAE | kN | 164.8 [179.8] | 165.7 [180.8] | 165.7 [180.8] | 166.7 [181.9] | 70.6 | []: Power Boost |
| | | kgf | 16,800 [18,330] | 16,900 [18,440] | 16,900 [18,440] | 17,000 [18,550] | 7,200 | |
| | | lbf | 37,040 [40,410] | 37,260 [40,650] | 37,260 [40,650] | 37,480 [40,900] | 15,870 | |
| | ISO | kN | 191.2 [208.6] | 191.2 [208.6] | 192.2 [209.7] | 192.2 [209.7] | 82.4 | |
| | | kgf | 19,500 [21,270] | 19,500 [21,270] | 19,600 [21,380] | 19,600 [21,380] | 8,400 | |
| | | lbf | 42,990 [46,890] | 42,990 [46,890] | 43,210 [47,130] | 43,210 [47,130] | 18,520 | |
| Arm crowd force | SAE | kN | 180.4 [196.8] | 155.9 [170.1] | 131.4 [143.4] | 114.7 [125.1] | 47.1 | []: Power Boost |
| | | kgf | 18,400 [20,070] | 15,900 [17,350] | 13,400 [14,620] | 11,700 [12,780] | 4,800 | |
| | | lbf | 40,570 [44,250] | 35,050 [38,250] | 29,540 [32,230] | 25,790 [28,130] | 10,580 | |
| | ISO | kN | 190.3 [207.5] | 163.8 [178.7] | 136.3 [148.7] | 119.6 [130.5] | 48.1 | |
| | | kgf | 19,400 [21,160] | 16,700 [18,220] | 13,900 [15,160] | 12,200 [13,310] | 4,900 | |
| | | lbf | 42,770 [46,650] | 36,820 [40,170] | 30,640 [33,420] | 26,900 [29,340] | 10,800 | |

Note : Boom weight includes arm cylinder, piping, and pin. Arm weight includes bucket cylinder, linkage, and pin

LIFTING CAPACITY

Rating over-front Rating over-side or 360 degrees

HX300ANL 2-PIECE BOOM

6.25 m (20' 6") boom, 3.05 m (10' 0") arm equipped with 7,500 kg counter weight and 600 mm (24") Triple grouser shoe.

| Lift-point height m (ft) | Lift-point radius | | | | | | | | | | At max. Reach | | | | |
|-----------------------------|-------------------|---------|---------------|---------|---------------|---------|---------------|---------|-----------------|---------|---------------|--|---------|---------|--------|
| | 3.0 m (10 ft) | | 4.5 m (15 ft) | | 6.0 m (20 ft) | | 7.5 m (25 ft) | | 9.0 m (29.5 ft) | | Capacity | | Reach | | |
| | | | | | | | | | | | | | m (ft) | | |
| 10.5 m (34.4 ft) | kg | | | | | | | | | | | | *7,620 | *7,620 | 3.56 |
| | lb | | | | | | | | | | | | *16,800 | *16,800 | (11.7) |
| 9.0 m (29.5 ft) | kg | | | *8,810 | *8,810 | *5,960 | *5,960 | | | | | | *5,620 | *5,620 | 6.06 |
| | lb | | | *19,420 | *19,420 | *13,140 | *13,140 | | | | | | *12,390 | *12,390 | (19.9) |
| 7.5 m (24.6 ft) | kg | | | *8,650 | *8,650 | *8,260 | *8,260 | | | | | | *4,980 | *4,980 | 7.46 |
| | lb | | | *19,070 | *19,070 | *18,210 | *18,210 | | | | | | *10,980 | *10,980 | (24.5) |
| 6.0 m (19.7 ft) | kg | | | *9,620 | *9,620 | *8,570 | *8,570 | *7,080 | 6,410 | | | | *4,730 | *4,730 | 8.37 |
| | lb | | | *21,210 | *21,210 | *18,890 | *18,890 | *15,610 | 14,130 | | | | *10,430 | *10,430 | (27.5) |
| 4.5 m (14.8 ft) | kg | | | *13,210 | *13,210 | *9,420 | 8,750 | *7,380 | 6,230 | | | | *4,690 | *4,690 | 8.93 |
| | lb | | | *29,120 | *29,120 | *20,770 | 19,290 | *16,270 | 13,730 | | | | *10,340 | *10,340 | (29.3) |
| 3.0 m (9.8 ft) | kg | | | *17,280 | 12,400 | *10,840 | 8,260 | *7,900 | 5,990 | *6,330 | 4,540 | | *4,800 | 4,370 | 9.21 |
| | lb | | | *38,100 | 27,340 | *23,900 | 18,210 | *17,420 | 13,210 | *13,960 | 10,010 | | *10,580 | 9,630 | (30.2) |
| 1.5 m (4.9 ft) | kg | | | *18,620 | 11,600 | *12,630 | 7,830 | *8,530 | 5,760 | *6,550 | 4,440 | | *5,080 | 4,270 | 9.24 |
| | lb | | | *41,050 | 25,570 | *27,840 | 17,260 | *18,810 | 12,700 | *14,440 | 9,790 | | *11,200 | 9,410 | (30.3) |
| Ground Line | kg | | | *18,240 | 11,270 | 13,410 | 7,570 | *9,100 | 5,800 | *5,760 | 4,380 | | *5,580 | 4,370 | 9.01 |
| | lb | | | *40,210 | 24,850 | 29,560 | 16,690 | *20,060 | 12,350 | *12,700 | 9,660 | | *12,300 | 9,630 | (29.6) |
| -1.5 m (-4.9 ft) | kg | *12,150 | *12,150 | *16,610 | 11,230 | *12,770 | 7,470 | *9,440 | 5,540 | *6,440 | 4,720 | | *6,440 | 4,720 | 8.51 |
| | lb | *26,790 | *26,790 | *36,620 | 24,760 | *28,150 | 16,470 | *20,810 | 12,210 | *14,200 | 10,410 | | *14,200 | 10,410 | (27.9) |
| -3.0 m (-9.8 ft) | kg | | | *13,800 | 11,370 | *10,810 | 7,540 | *7,800 | 5,640 | *7,270 | 5,480 | | *7,270 | 5,480 | 7.69 |
| | lb | | | *30,420 | 25,070 | *23,830 | 16,620 | *17,200 | 12,430 | *16,030 | 12,080 | | *16,030 | 12,080 | (25.2) |

6.25 m (20' 6") boom, 2.1 m (6' 11") arm equipped with 7,500 kg counter weight and 600 mm (24") Triple grouser shoe.

| Lift-point height m (ft) | Lift-point radius | | | | | | At max. Reach | | | |
|-----------------------------|-------------------|---------|-----------------|---------|-----------------|---------|---------------|---------|---------|--------|
| | 4.5 m (14.8 ft) | | 6.0 m (19.7 ft) | | 7.5 m (24.6 ft) | | Capacity | | Reach | |
| | | | | | | | | | m (ft) | |
| 9.0 m (29.5 ft) | kg | *12,080 | *12,080 | | | | | *11,730 | *11,730 | 4.73 |
| | lb | *26,630 | *26,630 | | | | | *25,860 | *25,860 | (15.5) |
| 7.5 m (24.6 ft) | kg | *11,420 | *11,420 | *9,410 | 9,060 | | | *9,160 | 7,990 | 6.44 |
| | lb | *25,180 | *25,180 | *20,750 | 19,970 | | | *20,190 | 17,610 | (21.1) |
| 6.0 m (19.7 ft) | kg | *12,590 | *12,590 | *9,580 | 8,920 | | | *8,070 | 6,250 | 7.48 |
| | lb | *27,760 | *27,760 | *21,120 | 19,670 | | | *17,790 | 13,780 | (24.5) |
| 4.5 m (14.8 ft) | kg | | | *10,540 | 8,550 | *8,110 | 6,140 | *7,600 | 5,430 | 8.10 |
| | lb | | | *23,240 | 18,850 | *17,880 | 13,540 | *16,760 | 11,970 | (26.6) |
| 3.0 m (9.8 ft) | kg | | | *12,130 | 8,110 | *8,570 | 5,960 | *7,490 | 5,030 | 8.41 |
| | lb | | | *26,740 | 17,880 | *18,890 | 13,140 | *16,510 | 11,090 | (27.6) |
| 1.5 m (4.9 ft) | kg | | | 13,650 | 7,790 | *9,120 | 5,790 | *7,680 | 4,930 | 8.44 |
| | lb | | | *30,090 | 17,170 | *20,110 | 12,760 | *16,930 | 10,870 | (27.7) |
| Ground Line | kg | | | *13,360 | 7,630 | *9,540 | 5,700 | *8,210 | 5,100 | 8.19 |
| | lb | | | *29,450 | 16,820 | *21,030 | 12,570 | *18,100 | 11,240 | (26.9) |
| -1.5 m (-4.9 ft) | kg | *14,640 | 11,510 | *11,860 | 7,640 | *8,700 | 5,740 | *8,210 | 5,630 | 7.64 |
| | lb | *32,280 | 25,380 | *26,150 | 16,840 | *19,180 | 12,650 | *18,100 | 12,410 | (25.1) |
| -3.0 m (-9.8 ft) | kg | | | *8,800 | 7,820 | | | | | |
| | lb | | | *19,400 | 17,240 | | | | | |

1. Lifting capacity is based on ISO 10567.
2. Lifting capacity of HX Series does not exceed 75% of tipping load with the machine on firm, level ground or 87% of full hydraulic capacity.

3. The Lift-point is bucket pivot mounting pin on the arm (without bucket mass).
4. (*) indicates load limited by hydraulic capacity.

LIFTING CAPACITY

Rating over-front Rating over-side or 360 degrees

HX300AL HIGH WALKER

6.25 m (20' 6") boom, 3.05 m (10' 0") arm equipped with 5,100 kg counter weight and 700 mm (28") Double grouser shoe.

| Lift-point height m (ft) | Lift-point radius | | | | | | | | | | At max. Reach | | | | | | | | | | |
|-----------------------------|-------------------|---------|----------------|---------|-----------------|---------|-----------------|---------|-----------------|---------|-----------------|---------|----------|---------|---------|---------|--------|--------|---------|---------|--------|
| | 1.5 m (4.9 ft) | | 3.0 m (9.8 ft) | | 4.5 m (14.8 ft) | | 6.0 m (19.7 ft) | | 7.5 m (24.6 ft) | | 9.0 m (29.5 ft) | | Capacity | | Reach | | | | | | |
| | | | | | | | | | | | | | | | m (ft) | | | | | | |
| 9.0 m (29.5 ft) | kg | | | | | | | | | | | | | | *4,760 | *4,760 | 6.34 | | | | |
| | lb | | | | | | | | | | | | | | *10,490 | *10,490 | (20.8) | | | | |
| 7.5 m (24.6 ft) | kg | | | | | | | | | *5,020 | *5,020 | | | | *4,340 | *4,340 | 7.63 | | | | |
| | lb | | | | | | | | | *11,070 | *11,070 | | | | *9,570 | *9,570 | (25.0) | | | | |
| 6.0 m (19.7 ft) | kg | | | | | | | | | *7,270 | *7,270 | *6,830 | *6,830 | | *4,190 | *4,190 | 8.45 | | | | |
| | lb | | | | | | | | | *16,030 | *16,030 | *15,060 | *15,060 | | *9,240 | *9,240 | (27.7) | | | | |
| 4.5 m (14.8 ft) | kg | | | | | | | | | *10,660 | *10,660 | *8,440 | *8,440 | *7,360 | 7,200 | | *4,220 | *4,220 | 8.95 | | |
| | lb | | | | | | | | | *23,500 | *23,500 | *18,610 | *18,610 | *16,230 | 15,870 | | *9,300 | *9,300 | (29.4) | | |
| 3.0 m (9.8 ft) | kg | | | | | | | | | *13,500 | *13,500 | *9,790 | 9,600 | *8,060 | 6,900 | *5,770 | 5,180 | | *4,390 | *4,390 | 9.17 |
| | lb | | | | | | | | | *29,760 | *29,760 | *21,580 | 21,160 | *17,770 | 15,210 | *12,720 | 11,420 | | *9,680 | *9,680 | (30.1) |
| 1.5 m (4.9 ft) | kg | | | | | | | | | *15,350 | 13,710 | *10,930 | 9,070 | *8,700 | 6,600 | *6,090 | 5,020 | | *4,730 | *4,730 | 9.14 |
| | lb | | | | | | | | | *33,840 | 30,230 | *24,100 | 20,000 | *19,180 | 14,550 | *13,430 | 11,070 | | *10,430 | *10,430 | (30.0) |
| Ground Line | kg | | | | | | | | | *6,560 | *6,560 | *15,930 | 13,200 | *11,550 | 8,690 | | | | *5,310 | 5,010 | 8.86 |
| | lb | | | | | | | | | *14,460 | *14,460 | *35,120 | 29,100 | *25,460 | 19,160 | *20,040 | 14,020 | | *11,710 | 11,050 | (29.1) |
| -1.5 m (-4.9 ft) | kg | *8,890 | *8,890 | *12,490 | *12,490 | *15,580 | 12,990 | *11,570 | 8,480 | 8,970 | 6,210 | | | | *6,340 | 5,410 | 8.29 | | | | |
| | lb | *19,600 | *19,600 | *27,540 | *27,540 | *34,350 | 28,640 | *25,510 | 18,700 | 19,780 | 13,690 | | | | *13,980 | 11,930 | (27.2) | | | | |
| -3.0 m (-9.8 ft) | kg | *14,430 | *14,430 | *19,790 | *19,790 | *14,370 | 12,970 | *10,800 | 8,420 | | | | | | *8,270 | 6,350 | 7.36 | | | | |
| | lb | *31,810 | *31,810 | *43,630 | *43,630 | *31,680 | 28,590 | *23,810 | 18,560 | | | | | | *18,230 | 14,000 | (24.2) | | | | |
| -4.5 m (-14.8 ft) | kg | | | | | | | | | *16,130 | *16,130 | *11,760 | *11,760 | | *8,460 | *8,460 | 5.93 | | | | |
| | lb | | | | | | | | | *35,560 | *35,560 | *25,930 | *25,930 | | *18,650 | *18,650 | (19.4) | | | | |

6.25 m (20' 6") boom, 2.1 m (6' 11") arm equipped with 5,100 kg counter weight and 700 mm (28") Double grouser shoe.

| Lift-point height m (ft) | Lift-point radius | | | | | | At max. Reach | | | | | | | | | | |
|-----------------------------|-------------------|--|-----------------|--|-----------------|--|-----------------|--|----------|---------|---------|---------|---------|--|---------|---------|--------|
| | 3.0 m (9.8 ft) | | 4.5 m (14.8 ft) | | 6.0 m (19.7 ft) | | 7.5 m (24.6 ft) | | Capacity | | Reach | | | | | | |
| | | | | | | | | | | | m (ft) | | | | | | |
| 7.5 m (24.6 ft) | kg | | | | | | | | | *8,010 | *8,010 | | | | *8,140 | *8,140 | 6.68 |
| | lb | | | | | | | | | *17,660 | *17,660 | | | | *17,950 | *17,950 | (21.9) |
| 6.0 m (19.7 ft) | kg | | | | | | | | | *8,460 | *8,460 | *7,940 | 7,220 | | *7,970 | 7,030 | 7.61 |
| | lb | | | | | | | | | *18,650 | *18,650 | *17,500 | 15,920 | | *17,570 | 15,500 | (25.0) |
| 4.5 m (14.8 ft) | kg | | | | | | | | | *9,540 | *9,540 | *8,210 | 7,070 | | *7,990 | 6,140 | 8.16 |
| | lb | | | | | | | | | *21,030 | *21,030 | *18,100 | 15,590 | | *17,610 | 13,540 | (26.8) |
| 3.0 m (9.8 ft) | kg | | | | | | | | | *10,730 | 9,400 | *8,740 | 6,820 | | 8,030 | 5,710 | 8.41 |
| | lb | | | | | | | | | *23,660 | 20,720 | *19,270 | 15,040 | | 17,700 | 12,590 | (27.6) |
| 1.5 m (4.9 ft) | kg | | | | | | | | | *11,570 | 8,960 | *9,180 | 6,570 | | 7,910 | 5,590 | 8.37 |
| | lb | | | | | | | | | *25,510 | 19,750 | *20,240 | 14,480 | | 17,440 | 12,320 | (27.5) |
| Ground Line | kg | | | | | | | | | *11,810 | 8,690 | 9,150 | 6,390 | | 8,240 | 5,780 | 8.06 |
| | lb | | | | | | | | | *26,040 | 19,160 | 20,170 | 14,090 | | 18,170 | 12,740 | (26.4) |
| -1.5 m (-4.9 ft) | kg | | | | | | | | | *14,920 | 13,130 | *11,370 | 8,570 | | *8,700 | 6,420 | 7.42 |
| | lb | | | | | | | | | *32,890 | 28,950 | *25,070 | 18,890 | | *19,180 | 14,150 | (24.4) |
| -3.0 m (-9.8 ft) | kg | | | | | | | | | *16,890 | *16,890 | *13,020 | *13,020 | | *8,730 | 7,970 | 6.38 |
| | lb | | | | | | | | | *37,240 | *37,240 | *28,700 | *28,700 | | *19,250 | 17,570 | (20.9) |

LIFTING CAPACITY

Rating over-front Rating over-side or 360 degrees

HX300AL HIGH WALKER

6.25 m (20' 6") boom, 2.5 m (8' 2") arm equipped with 5,100 kg counter weight and 700 mm (28") Double grouser shoe.

| Lift-point height m (ft) | | Lift-point radius | | | | | | | | | | At max. Reach | | | | |
|-----------------------------|----------|-------------------|--|--------------------|--------------------|--------------------|--------------------|--------------------|-------------------|-------------------|-----------------|---------------|--|-------------------|-------------------|----------------|
| | | 1.5 m (4.9 ft) | | 3.0 m (9.8 ft) | | 4.5 m (14.8 ft) | | 6.0 m (19.7 ft) | | 7.5 m (24.6 ft) | | Capacity | | Reach | | |
| | | | | | | | | | | | | | | m (ft) | | |
| 7.5 m (24.6 ft) | kg lb | | | | | | | *7,410 *16,340 | *7,410 *16,340 | | | | | *6,650 *14,660 | *6,650 *14,660 | 7.01 (23.0) |
| 6.0 m (19.7 ft) | kg lb | | | | | | | *7,970 *17,570 | *7,970 *17,570 | *7,440 *16,400 | 7,330 16,160 | | | *6,410 *14,130 | *6,410 *14,130 | 7.90 (25.9) |
| 4.5 m (14.8 ft) | kg lb | | | | | *11,840 *26,100 | *11,840 *26,100 | *9,090 *20,040 | *9,090 *20,040 | *7,860 *17,330 | 7,130 15,720 | | | *6,450 *14,220 | 5,880 12,960 | 8.43 (27.7) |
| 3.0 m (9.8 ft) | kg lb | | | | | | | *10,360 *22,840 | 9,480 20,900 | *8,470 *18,670 | 6,850 15,100 | | | *6,730 *14,840 | 5,470 12,060 | 8.67 (28.4) |
| 1.5 m (4.9 ft) | kg lb | | | | | *13,230 *29,170 | *13,230 *29,170 | *11,320 *24,960 | 9,000 19,840 | *9,000 *19,840 | 6,580 14,510 | | | *7,290 *16,070 | 5,340 11,770 | 8.64 (28.3) |
| Ground Line | kg lb | | | | | *15,970 *35,210 | *15,970 *35,210 | *11,740 *25,880 | 8,680 19,140 | 9,140 20,150 | 6,370 14,040 | | | 7,830 17,260 | 5,500 12,130 | 8.33 (27.3) |
| -1.5 m (-4.9 ft) | kg lb | | | *13,230 *29,170 | *13,230 *29,170 | *15,270 *33,660 | *15,270 *33,660 | *11,490 *25,330 | 8,520 18,780 | *8,890 *19,600 | 6,270 13,820 | | | *8,520 *18,780 | 6,030 13,290 | 7.72 (25.3) |
| -3.0 m (-9.8 ft) | kg lb | | | *18,360 *40,480 | *18,360 *40,480 | *13,660 *30,120 | *13,660 *30,120 | *10,300 *22,710 | 8,530 18,810 | | | | | *8,780 *19,360 | 7,310 16,120 | 6.72 (22.1) |
| -4.5 m (-14.8 ft) | kg lb | | | | | *10,160 *22,400 | *10,160 *22,400 | | | | | | | *8,640 *19,050 | *8,640 *19,050 | 5.10 (16.7) |

- Lifting capacity is based on ISO 10567.
- Lifting capacity of HX Series does not exceed 75% of tipping load with the machine on firm, level ground or 87% of full hydraulic capacity.
- The Lift-point is bucket pivot mounting pin on the arm (without bucket mass).
- (*) indicates load limited by hydraulic capacity.

LIFTING CAPACITY

Rating over-front Rating over-side or 360 degrees

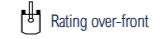
HX300AL HIGH WALKER

6.25 m (20' 6") boom, 3.75 m (12' 4") arm equipped with 5,100 kg counter weight and 700 mm (28") Double grouser shoe.

| Lift-point height m (ft) | | Lift-point radius | | | | | | | | | | At max. Reach | | | | | | |
|-----------------------------|----------|--------------------|--------------------|--------------------|--------------------|--------------------|-------------------|--------------------|-----------------|-------------------|-----------------|--------------------|--------------------|--------------------|-------------------|--------------------|-----------------|----------------|
| | | 1.5 m (4.9 ft) | | 3.0 m (9.8 ft) | | 4.5 m (14.8 ft) | | 6.0 m (19.7 ft) | | 7.5 m (24.6 ft) | | 9.0 m (29.5 ft) | | Capacity | | Reach | | |
| | | | | | | | | | | | | | | | | m (ft) | | |
| 9.0 m (29.5 ft) | kg lb | | | | | | | | | | | | | | *3,720 *8,200 | *3,720 *8,200 | 7.21 (23.6) | |
| 7.5 m (24.6 ft) | kg lb | | | | | | | | | | | | *5,440 *11,990 | *5,440 *11,990 | *3,450 *7,610 | *3,450 *7,610 | 8.36 (27.4) | |
| 6.0 m (19.7 ft) | kg lb | | | | | | | | | | | | *6,110 *13,470 | *6,110 *13,470 | *3,880 *8,550 | *3,880 *8,550 | 9.12 (29.9) | |
| 4.5 m (14.8 ft) | kg lb | | | | | | | | | | | *7,560 *16,670 | *7,560 *16,670 | *6,730 *14,840 | *6,730 *14,840 | *5,530 *12,190 | 5,420 11,950 | 9.58 (31.4) |
| 3.0 m (9.8 ft) | kg lb | | | | | | | | | | | *12,100 *26,680 | *12,100 *26,680 | *9,010 *19,860 | *9,010 *19,860 | *7,510 *16,560 | 6,990 15,410 | 9.79 (32.1) |
| 1.5 m (4.9 ft) | kg lb | | | | | | | | | | | *14,450 *31,860 | 14,030 30,930 | *10,330 *22,770 | 9,200 20,280 | *8,270 *18,230 | 6,660 14,680 | 9.76 (32.0) |
| Ground Line | kg lb | | | | | | | | | | | *7,580 *16,710 | *7,580 *16,710 | *15,600 *34,390 | 13,320 29,370 | *11,210 *24,710 | 8,750 19,290 | 9.49 (31.1) |
| -1.5 m (-4.9 ft) | kg lb | *7,940 *17,500 | *7,940 *17,500 | *11,560 *25,490 | *11,560 *25,490 | *15,740 *34,700 | 12,960 28,570 | *11,530 *25,420 | 8,460 18,650 | 8,930 19,690 | 6,170 13,600 | | | *4,950 *10,910 | 4,790 10,560 | 8.96 (29.4) | | |
| -3.0 m (-9.8 ft) | kg lb | *12,090 *26,650 | *12,090 *26,650 | *16,810 *37,060 | *16,810 *37,060 | *15,010 *33,090 | 12,840 28,310 | *11,160 *24,600 | 8,330 18,360 | *8,620 *19,000 | 6,080 13,400 | | | *6,300 *13,890 | 5,460 12,040 | 8.12 (26.6) | | |
| -4.5 m (-14.8 ft) | kg lb | *17,320 *38,180 | *17,320 *38,180 | *18,640 *41,090 | *18,640 *41,090 | *13,160 *29,010 | 12,930 28,510 | *9,740 *21,470 | 8,370 18,450 | | | | | *8,050 *17,750 | 6,970 15,370 | 6.85 (22.5) | | |
| -6.0 m (-19.7 ft) | kg lb | | | | | *8,890 *19,600 | *8,890 *19,600 | | | | | | | *8,130 *17,920 | *8,130 *17,920 | 4.80 (15.8) | | |

- Lifting capacity is based on ISO 10567.
- Lifting capacity of HX Series does not exceed 75% of tipping load with the machine on firm, level ground or 87% of full hydraulic capacity.
- The Lift-point is bucket pivot mounting pin on the arm (without bucket mass).
- (*) indicates load limited by hydraulic capacity.

LIFTING CAPACITY



HX300AL HIGH WALKER LONG REACH

102.0 m (33' 6") boom, 7.85 m (25' 9") arm equipped with 7,000 kg counter weight and 700 mm (28") Double grouser shoe.

| Lift-point height m (ft) | | Lift-point radius | | | | | | | | | | | |
|-----------------------------|----|-------------------|---------------------------------|-------------------|---------------------------------|-------------------|---------------------------------|-------------------|---------------------------------|-------------------|---------------------------------|-------------------|---------------------------------|
| | | 1.5 m (4.9 ft) | | 3.0 m (9.8 ft) | | 4.5 m (14.8 ft) | | 6.0 m (19.7 ft) | | 7.5 m (24.6 ft) | | 9.0 m (29.5 ft) | |
| | | Rating over-front | Rating over-side or 360 degrees | Rating over-front | Rating over-side or 360 degrees | Rating over-front | Rating over-side or 360 degrees | Rating over-front | Rating over-side or 360 degrees | Rating over-front | Rating over-side or 360 degrees | Rating over-front | Rating over-side or 360 degrees |
| 13.5 m (44.3 ft) | kg | | | | | | | | | | | | |
| 12.0 m (39.4 ft) | kg | | | | | | | | | | | | |
| 10.5 m (34.4 ft) | kg | | | | | | | | | | | | |
| 9.0 m (29.5 ft) | kg | | | | | | | | | | | | |
| 7.5 m (24.6 ft) | kg | | | | | | | | | | | | |
| 6.0 m (19.7 ft) | kg | | | | | | | | | | | | |
| 4.5 m (14.8 ft) | kg | | | | | | | | | | | | |
| 3.0 m (9.8 ft) | kg | | | | | | | | | | | | |
| 1.5 m (4.9 ft) | kg | | | | | | | | | | | | |
| Ground Line | kg | | | | | | | | | | | | |
| -1.5 m (-4.9 ft) | kg | *1,470 | *1,470 | *1,950 | *1,950 | *3,210 | *3,210 | *5,850 | *5,850 | *6,910 | 6,160 | *5,550 | 4,850 |
| -3.0 m (-9.8 ft) | kg | *2,110 | *2,110 | *2,600 | *2,600 | *3,720 | *3,720 | *5,950 | *5,950 | *7,310 | 5,940 | *5,880 | 4,670 |
| -4.5 m (-14.8 ft) | kg | *2,770 | *2,770 | *3,310 | *3,310 | *4,400 | *4,400 | *6,510 | *6,510 | *7,530 | 5,830 | *6,100 | 4,560 |
| -6.0 m (-19.7 ft) | kg | *3,480 | *3,480 | *4,090 | *4,090 | *5,240 | *5,240 | *7,400 | *7,400 | *7,580 | 5,810 | *6,180 | 4,530 |
| -7.5 m (-24.6 ft) | kg | *4,240 | *4,240 | *4,970 | *4,970 | *6,260 | *6,260 | *8,660 | 8,060 | *7,470 | 5,850 | *6,120 | 4,550 |
| -9.0 m (-29.5 ft) | kg | *5,100 | *5,100 | *5,980 | *5,980 | *7,530 | *7,530 | *9,940 | 8,240 | *7,150 | 5,960 | *5,890 | 4,630 |
| -10.5 m (-34.4 ft) | kg | *6,080 | *6,080 | *7,210 | *7,210 | *9,200 | *9,200 | *11,900 | 9,800 | *7,150 | 5,960 | *5,890 | 4,630 |
| -12.0 m (-39.4 ft) | kg | *7,060 | *7,060 | *8,350 | *8,350 | *10,750 | *10,750 | *14,000 | 11,500 | *7,150 | 5,960 | *5,890 | 4,630 |
| | lb | *3,240 | *3,240 | *4,300 | *4,300 | *7,080 | *7,080 | *12,900 | *12,900 | *15,230 | 13,580 | *12,240 | 10,690 |
| | lb | *6,110 | *6,110 | *7,300 | *7,300 | *9,700 | *9,700 | *14,350 | *14,350 | *16,600 | 12,850 | *13,450 | 10,050 |
| | lb | *10,960 | *10,960 | *13,800 | *13,800 | *19,090 | 17,770 | *16,470 | 12,900 | *13,490 | 10,030 | | |
| | lb | *11,240 | *11,240 | *13,180 | *13,180 | *16,600 | *16,600 | *19,710 | 18,170 | *15,760 | 13,140 | *12,990 | 10,210 |
| | lb | *13,400 | *13,400 | *15,900 | *15,900 | *20,280 | *20,280 | *17,970 | *17,970 | *14,460 | 13,580 | *11,880 | 10,560 |
| | lb | *19,360 | *19,360 | *19,420 | *19,420 | *15,150 | *15,150 | *12,190 | *12,190 | *9,770 | *9,770 | | |

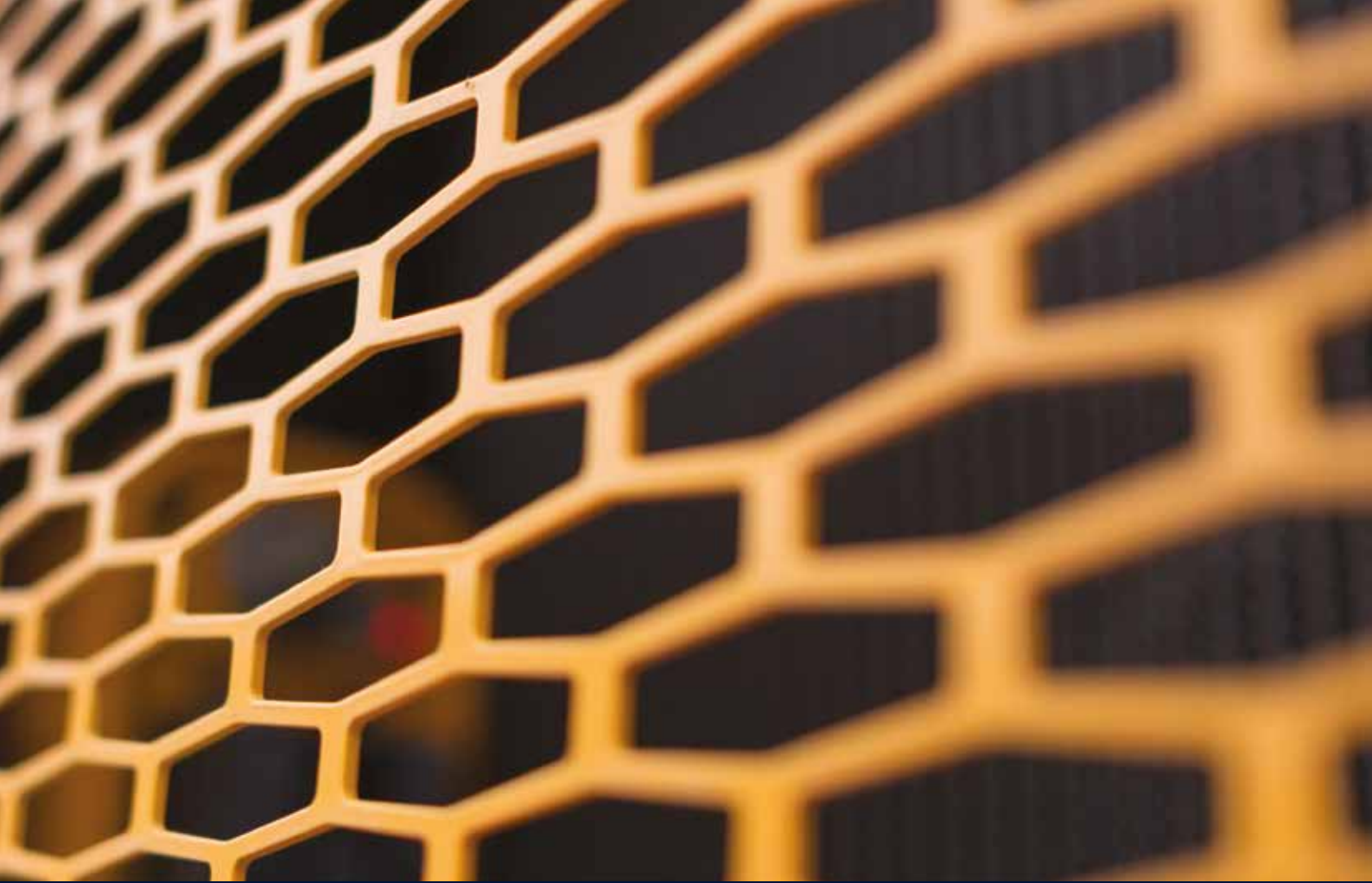
1. Lifting capacity is based on ISO 10567.

2. Lifting capacity of HX Series does not exceed 75% of tipping load with the machine on firm, level ground or 87% of full hydraulic capacity.

3. The Lift-point is bucket pivot mounting pin on the arm (without bucket mass).

4. (*) indicates load limited by hydraulic capacity.

| Lift-point height m (ft) | | Lift-point radius | | | | | | | | | | At max. Reach | | | | | | |
|-----------------------------|----|-------------------|---------------------------------|-------------------|---------------------------------|-------------------|---------------------------------|-------------------|---------------------------------|-------------------|---------------------------------|---------------|--------|--------|--------|--------|--------|--------|
| | | 10.5 m (34.4 ft) | | 12.0 m (39.4 ft) | | 13.5 m (44.3 ft) | | 15.0 m (49.2 ft) | | 16.5 m (54.1 ft) | | Capacity | | Reach | | | | |
| | | Rating over-front | Rating over-side or 360 degrees | Rating over-front | Rating over-side or 360 degrees | Rating over-front | Rating over-side or 360 degrees | Rating over-front | Rating over-side or 360 degrees | Rating over-front | Rating over-side or 360 degrees | Capacity | Reach | m (ft) | | | | |
| 13.5 m (44.3 ft) | kg | | | | | | | | | | | | | | *790 | *790 | 13.22 | |
| 12.0 m (39.4 ft) | kg | | | | | | | | | | | | | | *1740 | *1740 | (43.4) | |
| 10.5 m (34.4 ft) | kg | | | | | | | | | | | | | | *740 | *740 | 14.36 | |
| 9.0 m (29.5 ft) | kg | | | | | | | | | | | | | | *1630 | *1630 | (47.1) | |
| 7.5 m (24.6 ft) | kg | | | | | | | | | | | | | | *1400 | *1400 | 15.26 | |
| 6.0 m (19.7 ft) | kg | | | | | | | | | | | | | | *880 | *880 | (50.1) | |
| 4.5 m (14.8 ft) | kg | | | | | | | | | | | | | | *1940 | *1940 | 15.97 | |
| 3.0 m (9.8 ft) | kg | | | | | | | | | | | | | | *1220 | *1220 | (52.4) | |
| 1.5 m (4.9 ft) | kg | | | | | | | | | | | | | | *700 | *700 | 16.52 | |
| Ground Line | kg | | | | | | | | | | | | | | *1540 | *1540 | (54.2) | |
| -1.5 m (-4.9 ft) | kg | | | | | | | | | | | | | | *1750 | *1750 | 16.91 | |
| -3.0 m (-9.8 ft) | kg | | | | | | | | | | | | | | *1450 | *1450 | (55.5) | |
| -4.5 m (-14.8 ft) | kg | | | | | | | | | | | | | | *1010 | *1010 | 17.16 | |
| -6.0 m (-19.7 ft) | kg | | | | | | | | | | | | | | *2230 | *2230 | (56.3) | |
| -7.5 m (-24.6 ft) | kg | | | | | | | | | | | | | | *1570 | *1570 | 17.28 | |
| -9.0 m (-29.5 ft) | kg | | | | | | | | | | | | | | *770 | *770 | (56.7) | |
| -10.5 m (-34.4 ft) | kg | | | | | | | | | | | | | | *1700 | *1700 | 17.26 | |
| -12.0 m (-39.4 ft) | kg | | | | | | | | | | | | | | *820 | *820 | (56.6) | |
| | lb | *2,780 | *2,780 | *5,580 | *5,580 | *4,940 | *4,940 | *4,100 | *4,100 | *2,690 | *2,690 | *1,860 | *1,860 | *1,220 | *1,220 | *1,460 | *1,460 | 17.11 |
| | lb | *6,130 | *6,130 | *12,360 | *12,360 | *10,990 | *10,990 | *9,140 | *9,140 | *6,020 | *6,020 | *4,100 | *4,100 | *2,900 | *2,900 | *3,220 | *3,220 | (56.1) |
| | lb | *10,270 | *10,270 | *12,360 | *12,360 | *10,990 | *10,990 | *9,140 | *9,140 | *6,020 | *6,020 | *4,100 | *4,100 | *2,900 | *2,900 | *3,220 | *3,220 | 16.83 |
| | lb | *10,850 | *10,850 | *13,120 | *13,120 | *11,620 | *11,620 | *10,000 | *10,000 | *8,100 | *8,100 | *6,800 | *6,800 | *5,100 | *5,100 | *2,900 | *2,900 | (55.2) |
| | lb | *10,850 | *10,850 | *13,120 | *13,120 | *11,620 | *11,620 | *10,000 | *10,000 | *8,100 | *8,100 | *6,800 | *6,800 | *5,100 | *5,100 | *2,900 | *2,900 | 16.40 |
| | lb | *10,850 | *10,850 | *13,120 | *13,120 | *11,620 | *11,620 | *10,000 | *10,000 | *8,100 | *8,100 | *6,800 | *6,800 | *5,100 | *5,100 | *2,900 | *2,900 | (53.8) |
| | lb | *10,850 | *10,850 | *13,120 | *13,120 | *11,620 | *11,620 | *10,000 | *10,000 | *8,100 | *8,100 | *6,800 | *6,800 | *5,100 | *5,100 | *2,900 | *2,900 | 15.82 |
| | lb | *10,850 | *10,850 | *13,120 | *13,120 | *11,620 | *11,620 | *10,000 | *10,000 | *8,100 | *8,100 | *6,800 | *6,800 | *5,100 | *5,100 | *2,900 | *2,900 | (51.9) |
| | lb | *10,850 | *10,850 | *13,120 | *13,120 | *11,620 | *11,620 | *10,000 | *10,000 | *8,100 | *8,100 | *6,800 | *6,800 | *5,100 | *5,100 | *2,900 | *2,900 | 15.06 |
| | lb | *10,850 | *10,850 | *13,120 | *13,120 | *11,620 | *11,620 | *10,000 | *10,000 | *8,100 | *8,100 | *6,800 | *6,800 | *5,100 | *5,100 | *2,900 | *2,900 | (49.4) |
| | lb | *10,850 | *10,850 | *13,120 | *13,120 | *11,620 | *11,620 | *10,000 | *10,000 | *8,100 | *8,100 | *6,800 | *6,800 | *5,100 | *5,100 | *2,900 | *2,900 | 14.10 |
| | lb | *10,850 | *10,850 | *13,120 | *13,120 | *11,620 | *11,620 | *10,000 | *10,000 | *8,100 | *8,100 | *6,800 | *6,800 | *5,100 | *5,100 | *2,900 | *2,900 | (46.3) |
| | lb | *10,850 | *10,850 | *13,120 | *13,120 | *11,620 | *11,620 | *10,000 | *10,000 | *8,100 | *8,100 | *6,800 | *6,800 | *5,100 | *5,100 | *2,900 | *2,900 | 12.90 |
| | lb | *10,850 | *10,850 | *13,120 | *13,120 | *11,620 | *11,620 | *10,000 | *10,000 | *8,100 | *8,100 | *6,800 | *6,800 | *5,100 | *5,100 | *2,900 | *2,900 | (42.3) |
| | lb | *10,850 | *10,850 | *13,120 | *13,120 | *11,620 | *11,620 | *10,000 | *10,000 | *8,100 | *8,100 | *6,800 | *6,800 | *5,100 | *5,100 | *2,900 | *2,900 | 11.37 |
| | lb | *10,850 | *10,850 | *13,120 | *13,120 | *11,620 | *11,620 | *10,000 | *10,000 | *8,100 | *8,100 | *6,800 | *6,800 | *5,100 | *5,100 | *2,900 | *2,900 | (37.3) |
| | lb | *10,850 | *10,850 | *13,120 | *13,120 | *11,620 | *11,620 | *10,000 | *10,000 | *8,100 | *8,100 | *6,800 | *6,800 | *5,100 | *5,100 | *2,900 | *2,900 | 9.35 |
| | lb | *10,850 | *10,850 | *13,120 | *13,120 | *11,620 | *11,620 | *10,000 | *10,000 | *8,100 | *8,100 | *6,800 | *6,800 | *5,100 | *5,100 | *2,900 | *2,900 | (30.7) |



Specifications and design are subject to change without notice. Pictures of Hyundai Construction Equipment Europe products may show other than standard equipment.

Hyundai Construction Equipment Europe nv.
Hyundailaan 4, 3980 Tessenderlo, Belgium.
Tel: (32) 14-56-2200 Fax: (32) 14-59-3405

EN - 2020.03 Rev 1

Ready to experience the Hyundai Effect?

Contact your Hyundai dealer.

hyundai-ce.eu/en/dealer-locator

